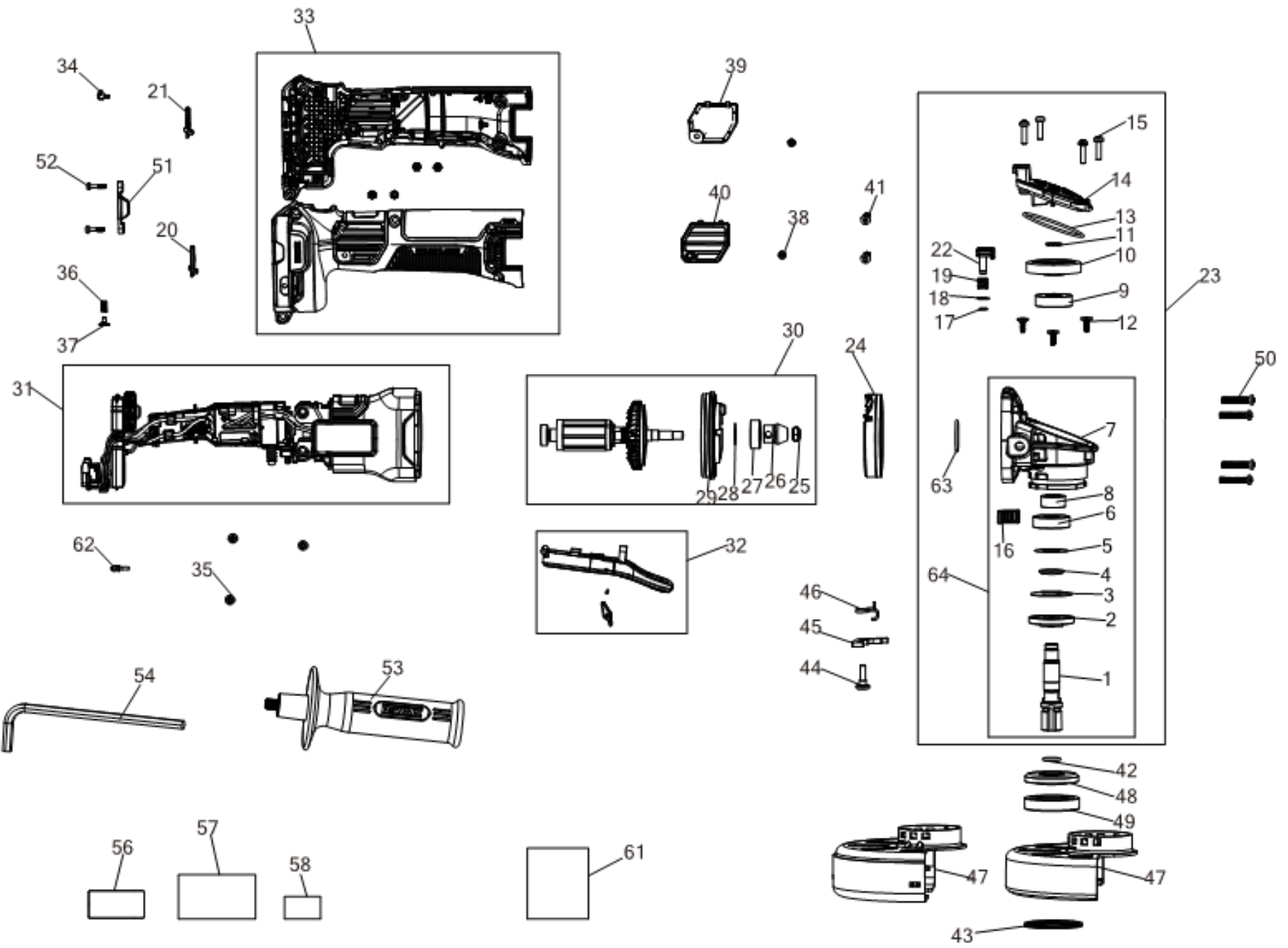


DCG416VSN ANGLE GRINDER 1



Parts List DCG416VSN ANGLE GRINDER 1

Item	Part Number	Qty	Part Description	General Description	Other Info	Repair Inst	Markets
1	N487315	1	SPINDLE			No	XJ
2	N487316	1	WASHER			No	XJ
3	N451305	1	WASHER SPRING			No	XJ
4	N474213	1	SPACER			No	XJ
5	638229-00	1	WASHER			No	XJ
6	N150961	1	BEARING	60012RS		No	XJ
7	NA098576	1	GEARCASE			No	XJ
8	N095815	1	SLEEVE			No	XJ
9	N150961	1	BEARING	60012RS		No	XJ
10	N153126	1	GEAR			No	XJ
11	444793-00	1	CIRCLIP			No	XJ
12	N118088	3	SCREW			No	XJ
13	N094024	1	O RING			No	XJ
14	N851776	1	GEARCASE COVER			No	XJ
15	N122904	4	SCREW			No	XJ
16	N489769	1	PLUG			No	XJ
17	N094012	1	O RING			No	XJ
18	N447838	1	WASHER			No	XJ
19	N092954	1	SPRING			No	XJ
20	N728012	1	INSERT			No	XJ
21	N728013	1	INSERT			No	XJ
22	N181767	1	SPINDLE LOCK			No	XJ
23	NA202209	1	GEARCASE SA			No	XJ
24	N478435	1	BAFFLE			No	XJ
25	604484-00	1	NUT			No	XJ
26	N153125	1	PINION			No	XJ
27	N214432	1	BEARING			No	XJ
28	N478436	1	STATOR			No	XJ
29	N213812	1	WASHER			No	XJ
30	N769802	1	ROTOR SA			No	XJ
31	NA206264	1	MOTOR & SWITCH SA			No	XJ
32	N534716	1	LEVER LOCK-OFF			No	XJ

Parts List DCG416VSN ANGLE GRINDER 1

Item	Part Number	Qty	Part Description	General Description	Other Info	Repair Inst	Markets
33	NA026882	1	HANDLE SA			No	XJ
34	N467560	1	PLATE			No	XJ
35	330019-04	3	SCREW			No	XJ
36	N461735	1	SPRING			No	XJ
37	N091479	1	MOUNT			No	XJ
38	330045-43	2	SCREW			No	XJ
39	NA026865	1	VENT	LEFT		No	XJ
40	NA026864	1	VENT	RIGHT		No	XJ
41	330065-33	2	SCREW			No	XJ
42	N420261	1	O RING			No	XJ
43	N135116	1	WASHER SPRING			No	XJ
44	N137733	1	SCREW			No	XJ
45	N136731	1	LEVER			No	XJ
46	N105579	1	SPRING			No	XJ
47	NA161663	1	GUARD			No	XJ
48	391969-00	1	INNER FLANGE			No	XJ
49	N484250	1	OUTER FLANGE			No	XJ
50	330065-31	4	PLASTIC SCREW			No	XJ
51	N787996	1	INSERT			No	XJ
52	N831593	2	SCREW			No	XJ
53	N421925	1	SIDE HANDLE			No	XJ
54	N107295	1	HEX KEY	6 mm		No	XJ
56	NA136305	1	RATING LABEL			No	XJ
57	NA185519	1	WARNING LABEL			No	XJ
58	NA081228	1	LABEL	RPM LABEL		No	XJ
61	NA184301	1	LABEL	FOOT LABEL		No	XJ
62	071025-04	1	TIE			No	XJ
63	N119639	1	O RING			No	XJ
64	NA202165	1	GEARCASE SA	GEARCASE W/SPINDLE		No	XJ